



SpikePod™

The most versatile shooting stabilizer

PATENTED



OXA[®]

A patented shooting support designed for demanding hunting situations.

SpikePod is an innovative shooting stabilizer designed and manufactured in Finland. It enables the rifle to be supported against vertical surfaces such as trees, building corners, or walls, and performs equally well on horizontal surfaces like stumps and fallen tree trunks.

Fast and intuitive to use SpikePod is built for real hunting situations where speed and stability matter:

- Blades open easily without removing your grip from the rifle
- The blade tip bites into the support surface and carries the rifle's weight
- Shooting support can be taken from either side of the rifle
- The rifle moves smoothly along the gripping blade – ideal for tracking moving game
- Enables long-term observation with reduced fatigue

Key advantages

- Ultra-lightweight, compact, and extremely durable
- Always mounted on the rifle and ready for use
- Fits most hunting rifles without modification
- Easy installation to the sling swivel stud
- Integrated attachment point for the rifle sling
- Sharp blade tips rotate safely inside the body for transport
- High-quality aluminum components ensure strength and longevity
- Designed and manufactured in Finland

Two models available

- Hunter – for stock widths under 45 mm (most original factory stocks)
- Hunter L – for stock widths over 43 mm (e.g. GRS / KKC stocks)

Specifications:

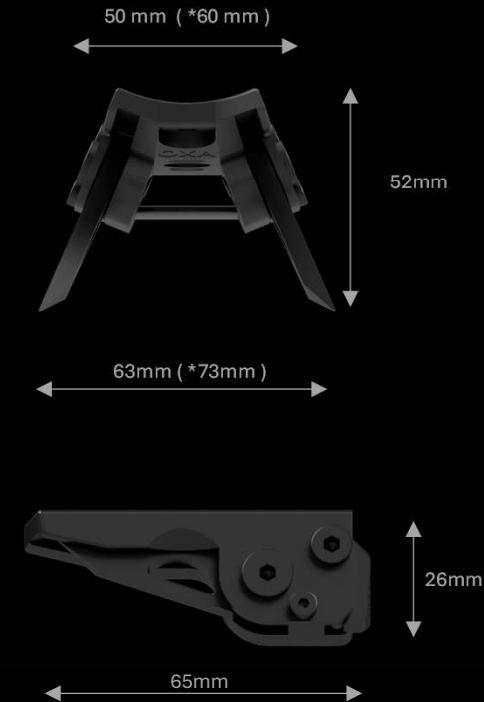
- Frame: hard-anodized aluminum
- Gripping blades and locking levers: 7075-T6 aluminum
- Finish: black anodized
- Weight:
 - Hunter: 81 g
 - Hunter L: 97 g
- Automatic locking of blades in the open position
- Mounting: sling swivel stud
- Integrated carrying strap attachment

Accessories

- 4-slot Picatinny rail for accessory mounting (e.g. bipods)
- Spartan Classic rifle adapter for Spartan Precision Magnaswitch products

Installation adapters:

- For Picatinny rail; Grovtech GTSW265
- For M-Lok rail; Grovtech GTSW240
- For UIT (Anschutz); Grovtech GTSW324
- For QD Cup; Grovtech GTSW299



* = dimensions for Hunter L – version



OXA innovations

www.oxainnovations.com
info@oxainnovations.com

